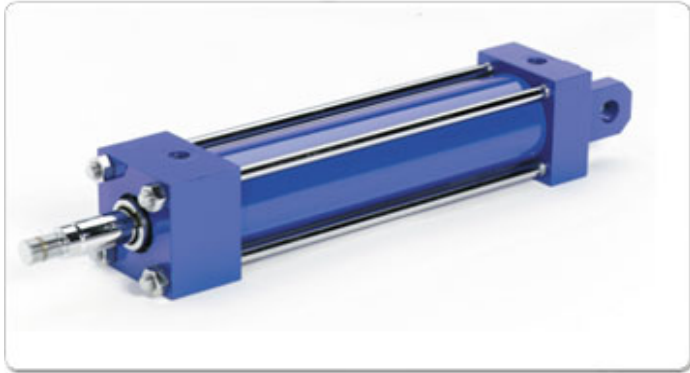


Hydraulic Cylinders





Eaton offers the world's broadest range of Industrial Cylinders to meet the demands of the most rigorous applications, including offshore drilling, steel mills, and machine tools. And if there isn't a standard Eaton cylinder that meets your exact specifications, they will design a custom cylinder to fit your needs.

Sold under the Vickers™ and Hydrowa® brands, their product family spans industrial tie rod, threaded, welded, mill duty, and custom pneumatic, hydraulic, and electro-hydraulic cylinders ranging from ¾" (20mm) to 60" (1500mm) bore and to 900inch (22m) stroke.



N SERIES - NFPA TIE ROD

Industrial Tie Rod Cylinders are the most common type of cylinders sold today. Eaton offers a comprehensive range of products to meet NFPA standards. These products include hydraulic, pneumatic, and electro-hydraulic cylinders sold to variety of markets. This comprehensive line features a proven design coupled with the Eaton SureSeal™ system for improved performance and better serviceability.

Features and Benefits

Virtually Limitless Options for Optimum Flexibility with Fast Response. These products are offered in sizes from 1" (25.4mm) to 8" (203mm) bore, and to 300" (8m) stroke with a broad range of mounting, port style, and other standard options
Unitized Rod Cartridge for better reliability, performance, and serviceability.

Captive & Tapered Cushion Valve for increased safety with best-in-class cushion performance (smoother)

Gray Iron Bearings for optimum wear properties and longer bearing life

Applications

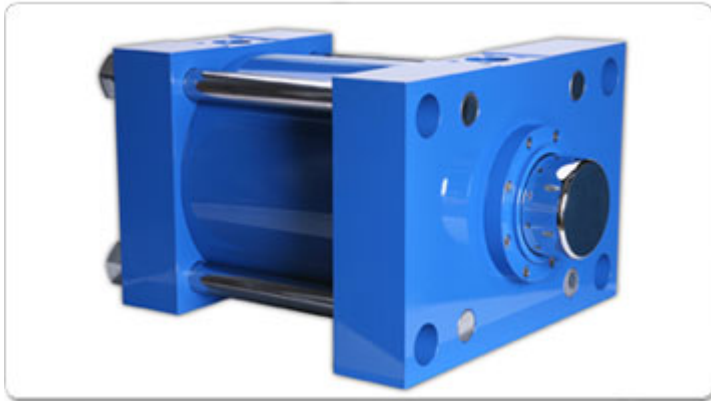
Plastics , Rubber/Molding, Machine Tool, Entertainment, Primary Metals

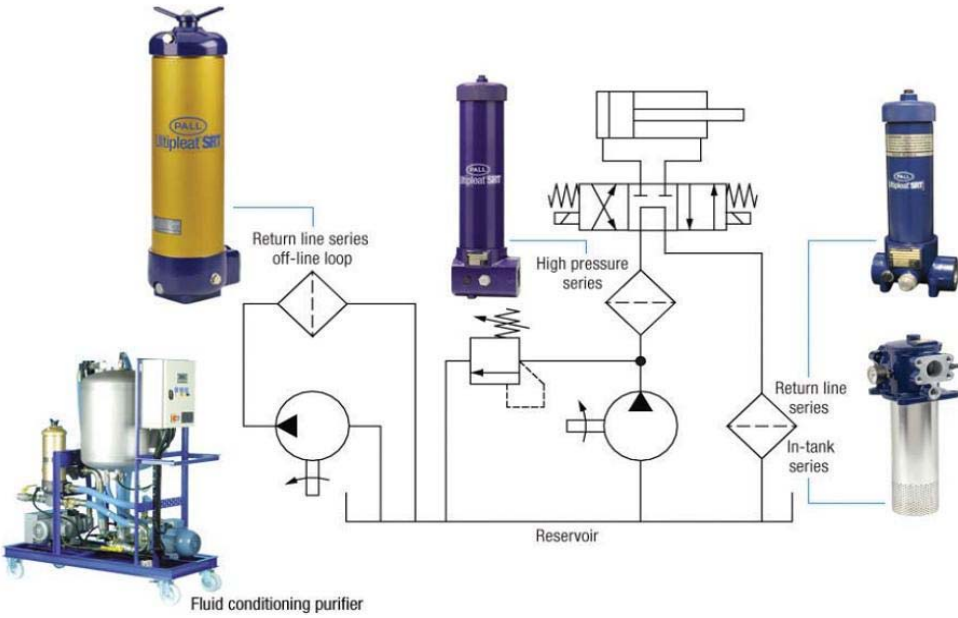
Specifications

Rated Pressure: up to 207 bar (3,000 PSI) for hydraulic and 17 bar (250 PSI) for pneumatic standard products (higher capability in custom cylinders).

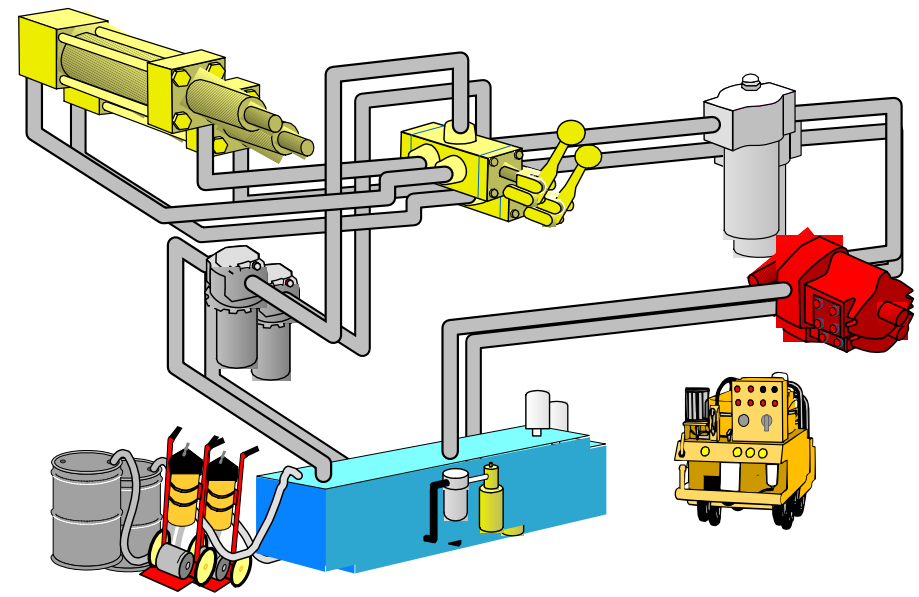
Available standard sizes: 1.0 - 8" (25.4-203 mm) bore, to 300" (8m) stroke







Fluid conditioning purifier





“Your Fluid Power, Filtration & Lubrication Engineers.”